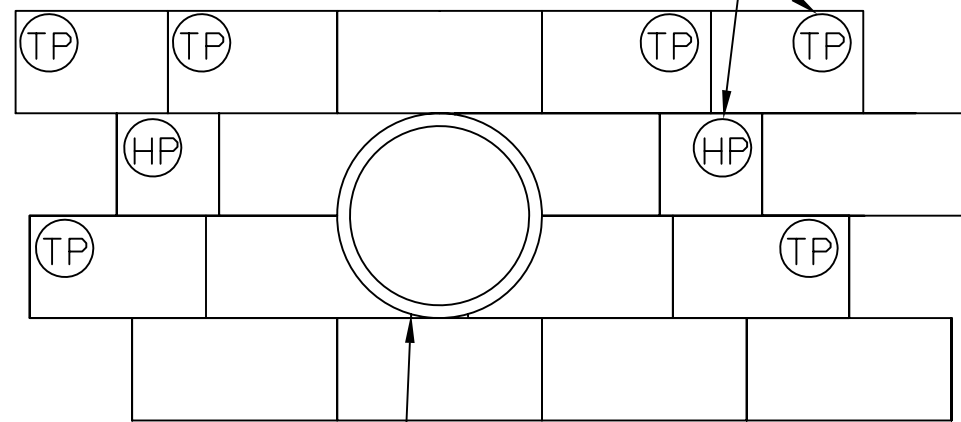
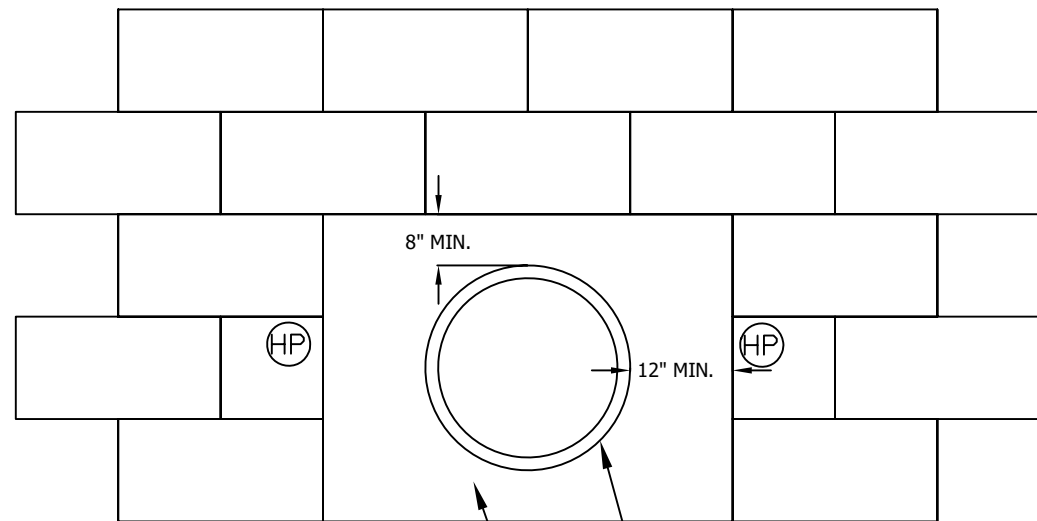


USE TRIM PANELS OR HALF WIDE  
PANELS TO PICK UP RUNNING BOND  
MINIMUM 3 PANELS OUT FROM PIPE



MAX PIPE DIA 24"  
**ELEVATION DETAIL FOR PIPE DIAMETERS  
24" OR LESS**

TP = TRIM PANEL      HP = HALF PANEL  
1) TRIM PANELS TO FIT OUTSIDE DIAMETER OF PIPE

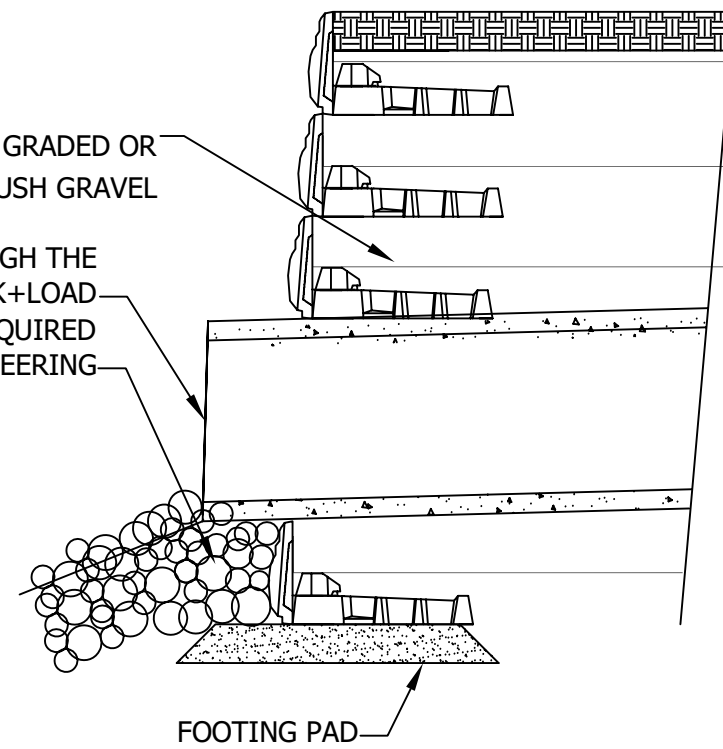


6" THICK CAST IN PLACE CONCRETE  
HEAD WALL (F'C= 4000 PSI WITH MIN #4  
REBAR AT 12" O.C EACH WAY) BY OTHERS  
PIPE GREATER THEN 24" DIA

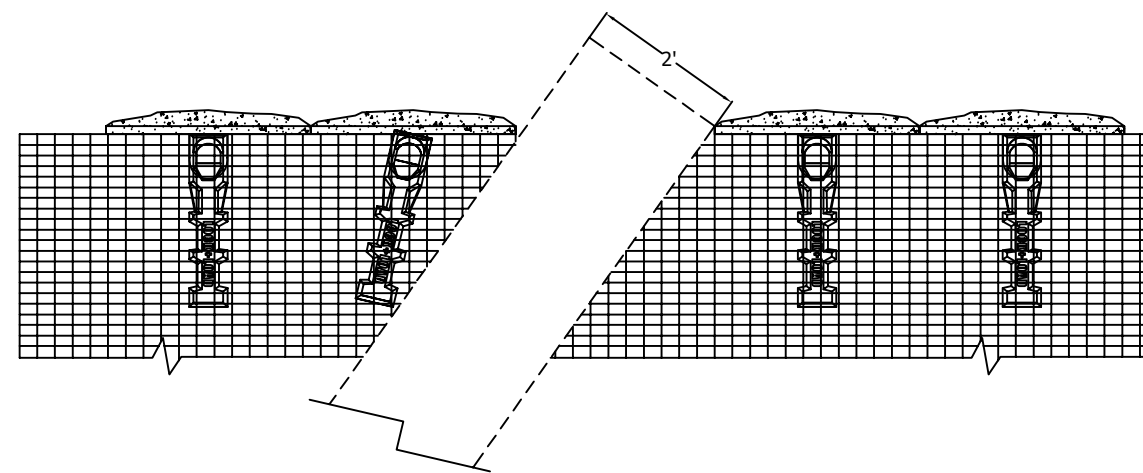
**ELEVATION DETAIL FOR PIPE  
DIAMETERS GREATER THAN 24"**

NOTE:  
SPECIAL HEADWALL DESIGN IS REQUIRED FOR  
PIPE DIAMETERS GREATER THAN 5' FEET

FACING GRAVE  $\frac{3}{4}$ " WELL GRADED OR  
 $\frac{3}{4}$ " CLEAR CRUSH GRAVEL  
PIPE PENETRATION THROUGH THE  
FACE OF WALL USING LOCK+LOAD  
RIP RAP AS REQUIRED  
BY ENGINEERING



**24" PIPE PENATRATION CROSS SECTION AT WALL  
FACE**



**DETAIL FOR PIPE DIAMETERS 24" AT UP TO 45°**

REV #	DESCRIPTION	DATE

**LOCK+LOAD**  
RETAINING WALL SYSTEMS™

1681 CHESTNUT STREET, SUITE 400, VANCOUVER, B.C. V6J 4M6  
Tel: (604) 732-9990 Toll Free: 1-877-901-9998 Fax: (604) 737-1140  
Web site: www.lock-load.com

DRAWING NAME	24" HORIZONTAL PIPE OUTLET
PROJECT NAME	
LOCATION	
CITY	COUNTRY
DRAWN BY	DATE 01/06/12
APPROVED BY	PREPARED
SCALE	FOR
N.T.S.	
OUR PROJECT NUMBER	OUR DRAWING NUMBER
	<b>24" PIPE OUTLET</b>