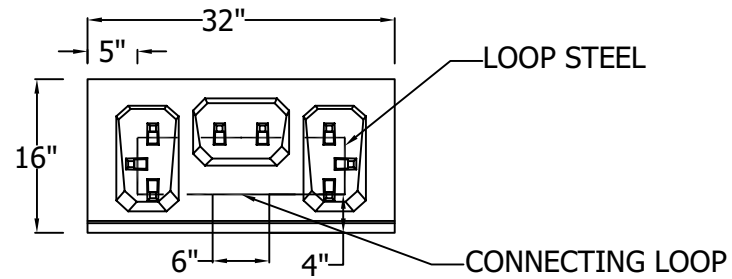


CONNECTING LOOP

FRONT VIEW

NOTE:

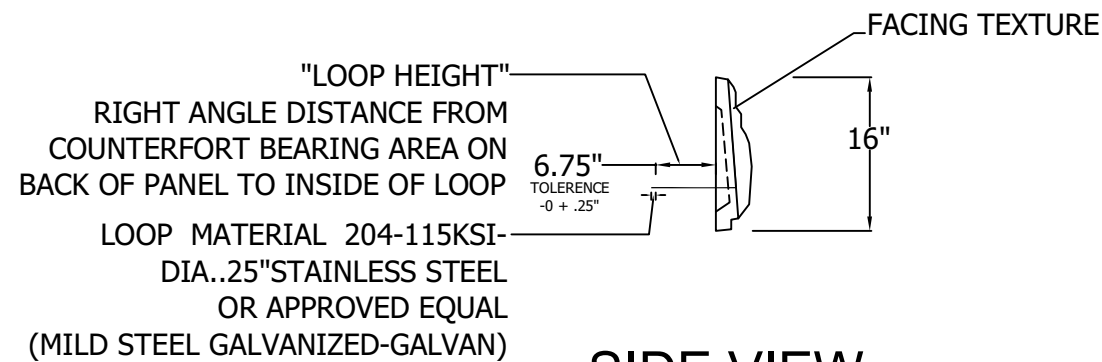
- 1) MINIMUM CONCRETE COMPRESSIVE STRENGTH AT 28 DAYS IS 5500 PSI
- 2) 6% AIR ENTRAINMENT
- 3) 3 LBS STRUCTURAL FIBER PER CUBIC YARD
- 4) FACING TEXTURE AS SPECIFIED IN CONTRACT



LOOP STEEL

CONNECTING LOOP

BACK VIEW



FACING TEXTURE

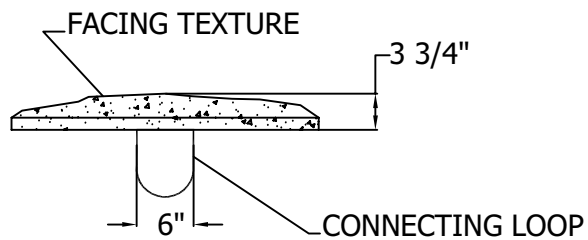
"LOOP HEIGHT"
RIGHT ANGLE DISTANCE FROM
COUNTERFORT BEARING AREA ON
BACK OF PANEL TO INSIDE OF LOOP

LOOP MATERIAL 204-115KSI-
DIA..25"STAINLESS STEEL
OR APPROVED EQUAL
(MILD STEEL GALVANIZED-GALVAN)

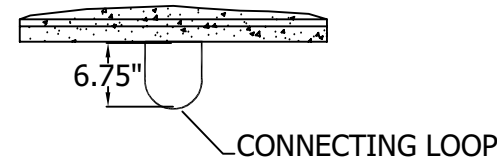
SIDE VIEW

NOTE:

(LOOP EMBEDMENT STAYS THE
SAME FOR ALL TEXTURES)



TOP VIEW



CONNECTING LOOP

BOTTOM VIEW

NOTE:

(MEASURED FROM BACK OF PANEL TO INSIDE RADIUS OF
CONNECTING LOOP)

REV #	DESCRIPTION	DATE

LOCK+LOAD
RETAINING WALL SYSTEMS
1681 CHESTNUT STREET, SUITE 400, VANCOUVER, B.C. V6J 4M6
Tel: (604) 732-9990 Toll Free: 1-877-901-9998 Fax: (604) 737-1140
Web site: www.lock-load.com

DRAWING NAME: CONNECTING LOOP DETAIL	
PROJECT NAME: TYPICAL DETAILS	
LOCATION:	
CITY: COUNTRY:	
DRAWN BY: KJA	DATE: 01/06/12
APPROVED BY: RC/DA	PREPARED FOR:
SCALE: N.T.S.	FOR:
OUR PROJECT NUMBER:	OUR DRAWING NUMBER:
CUSTOMER DRAWING	LL-WSDOT-1C PANEL