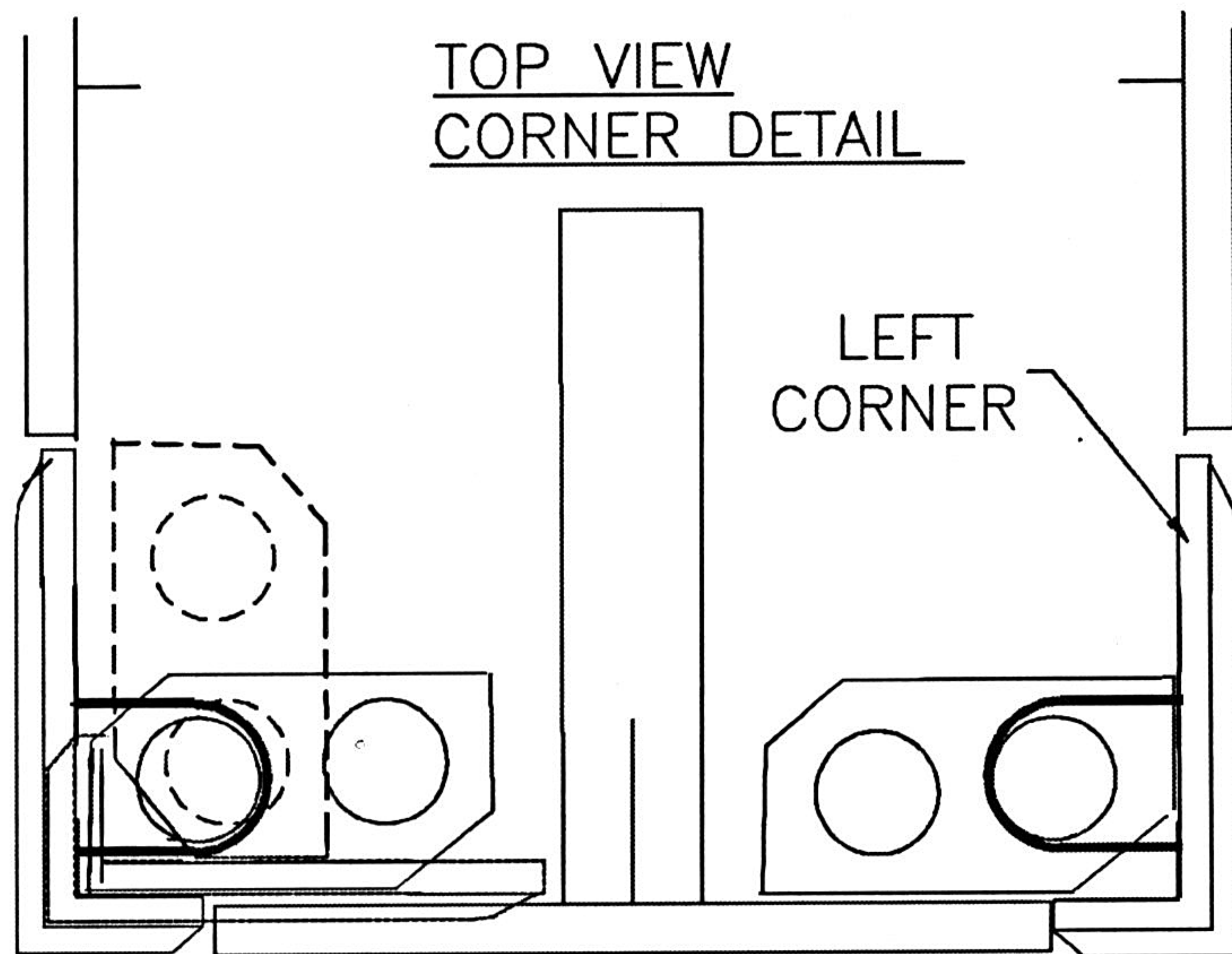
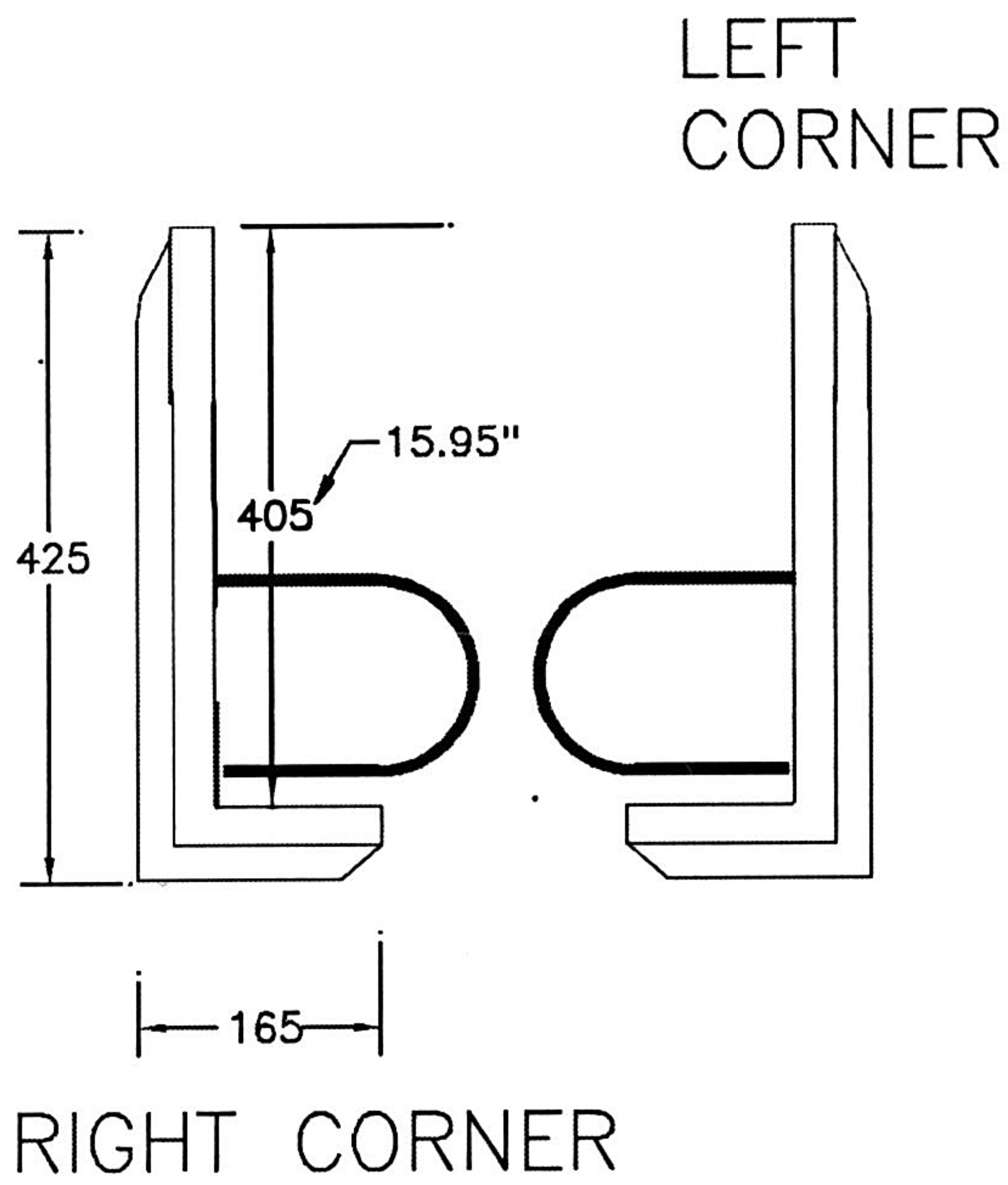
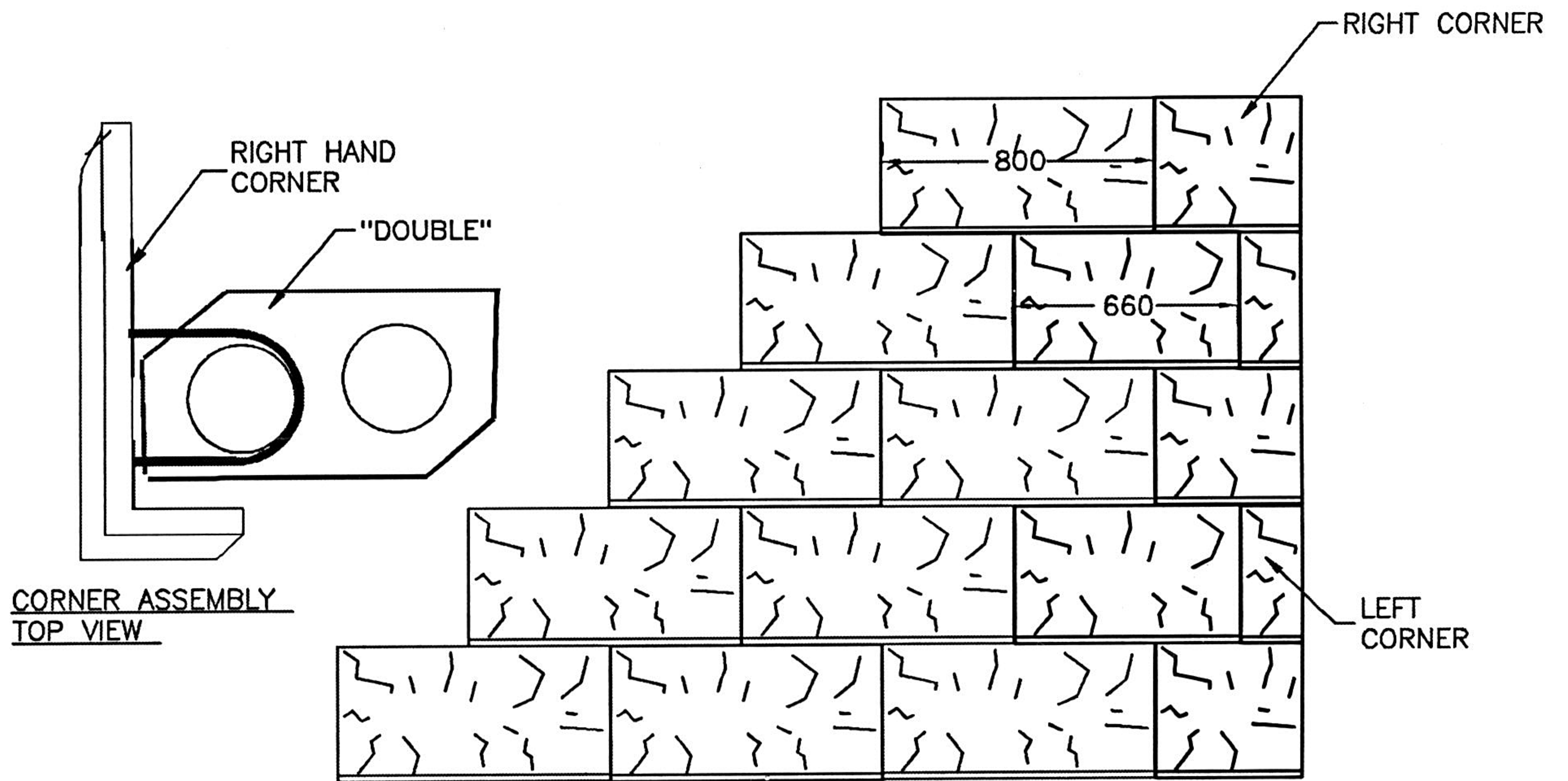


# LOCK+LOAD - CORNER - FILE 521



LOCK+LOAD Retaining Walls Ltd.

nts 1 inch = 25.4mm

Except as specifically authorized in writing by Lock&Load Retaining Walls Ltd. possession of this drawing does not authorize use of its contents for other than the express purpose for which it has been provided nor transmission of this drawing or its contents to third parties. Final professional determination of the suitability of the contemplated useage and the manner of the application are the sole responsibility of the User. Design and Analysis shall be performed by a qualified Engineer.