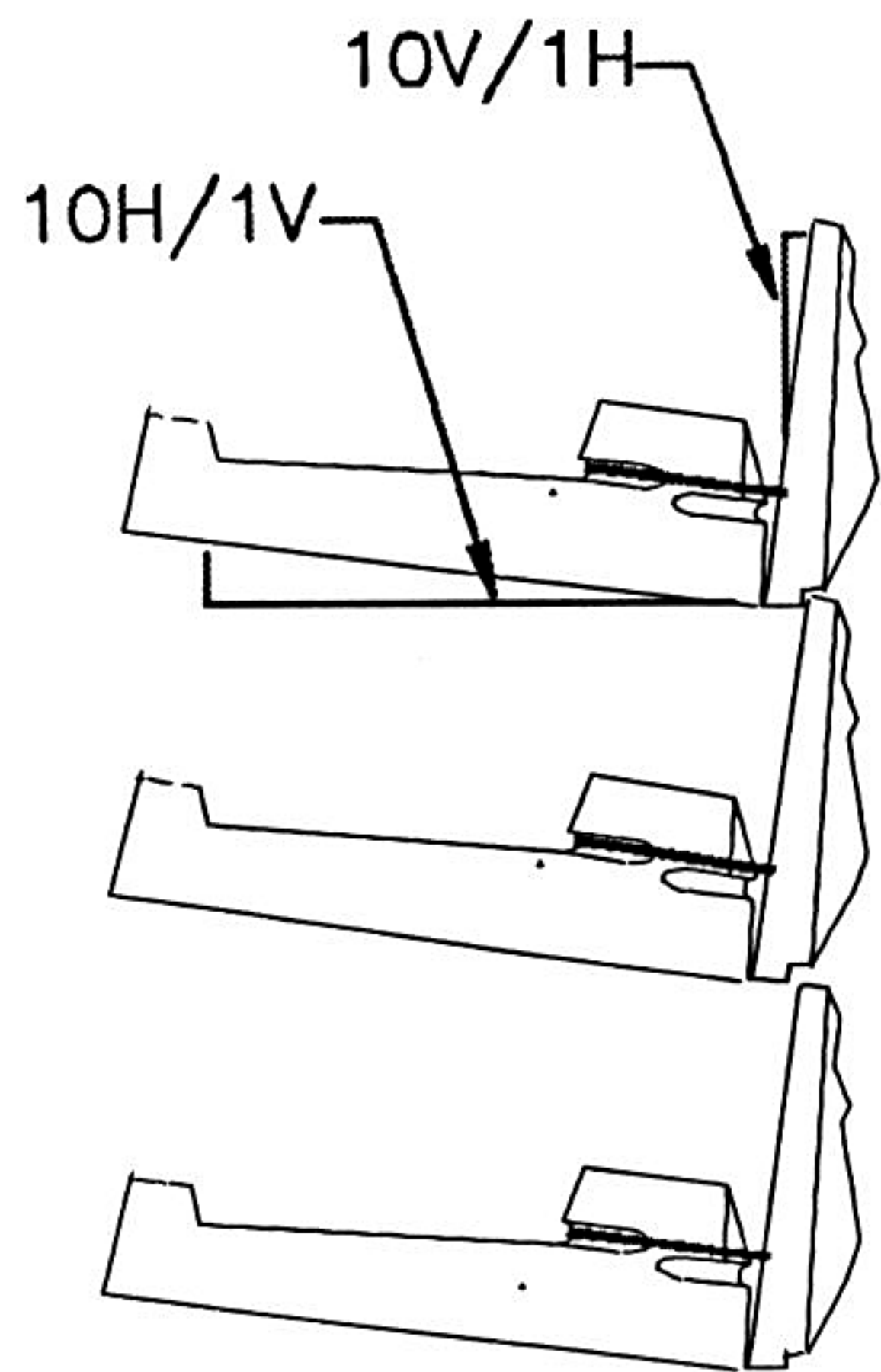
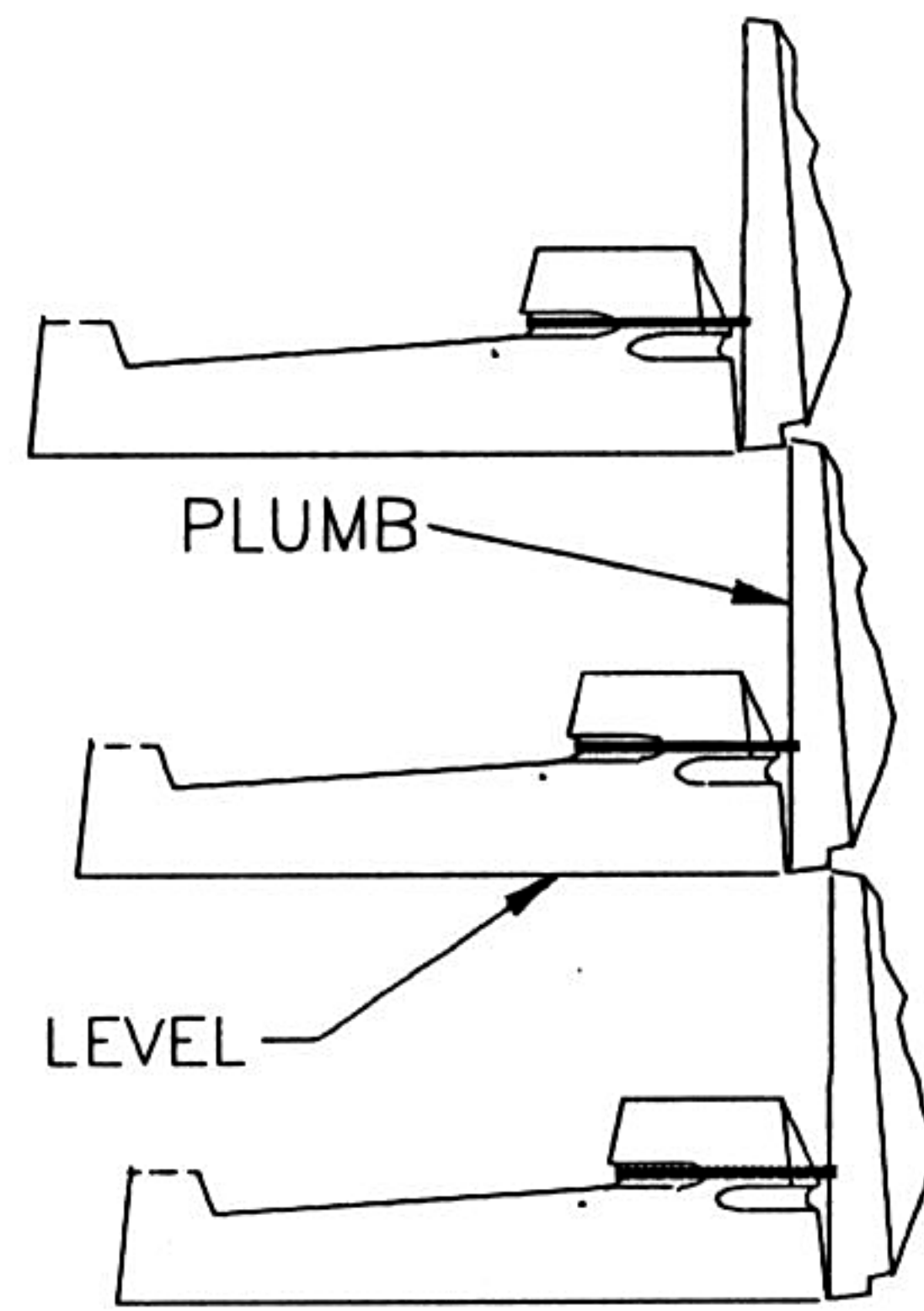


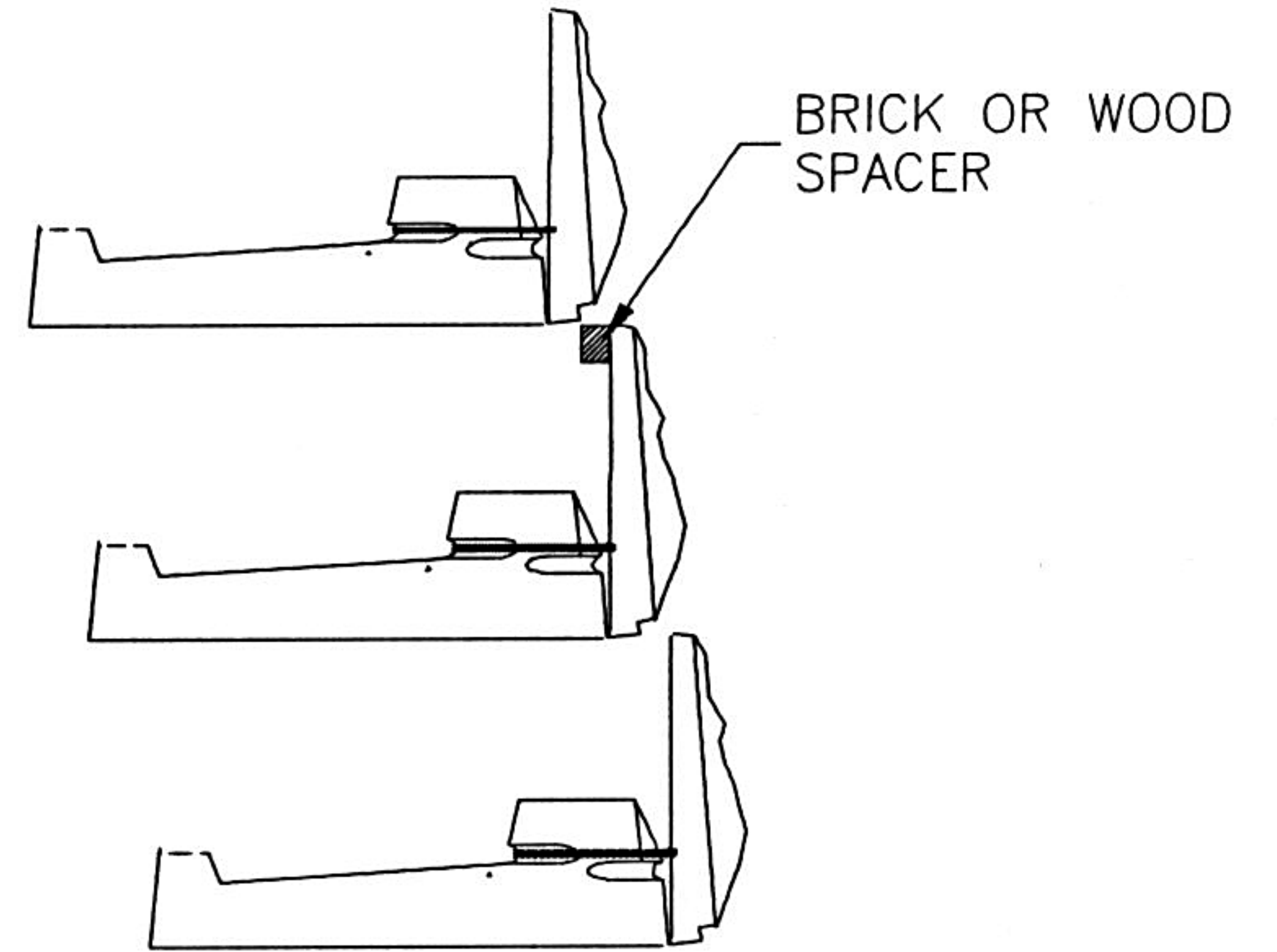
LOCK+LOAD WALL BATTER – FILE 528



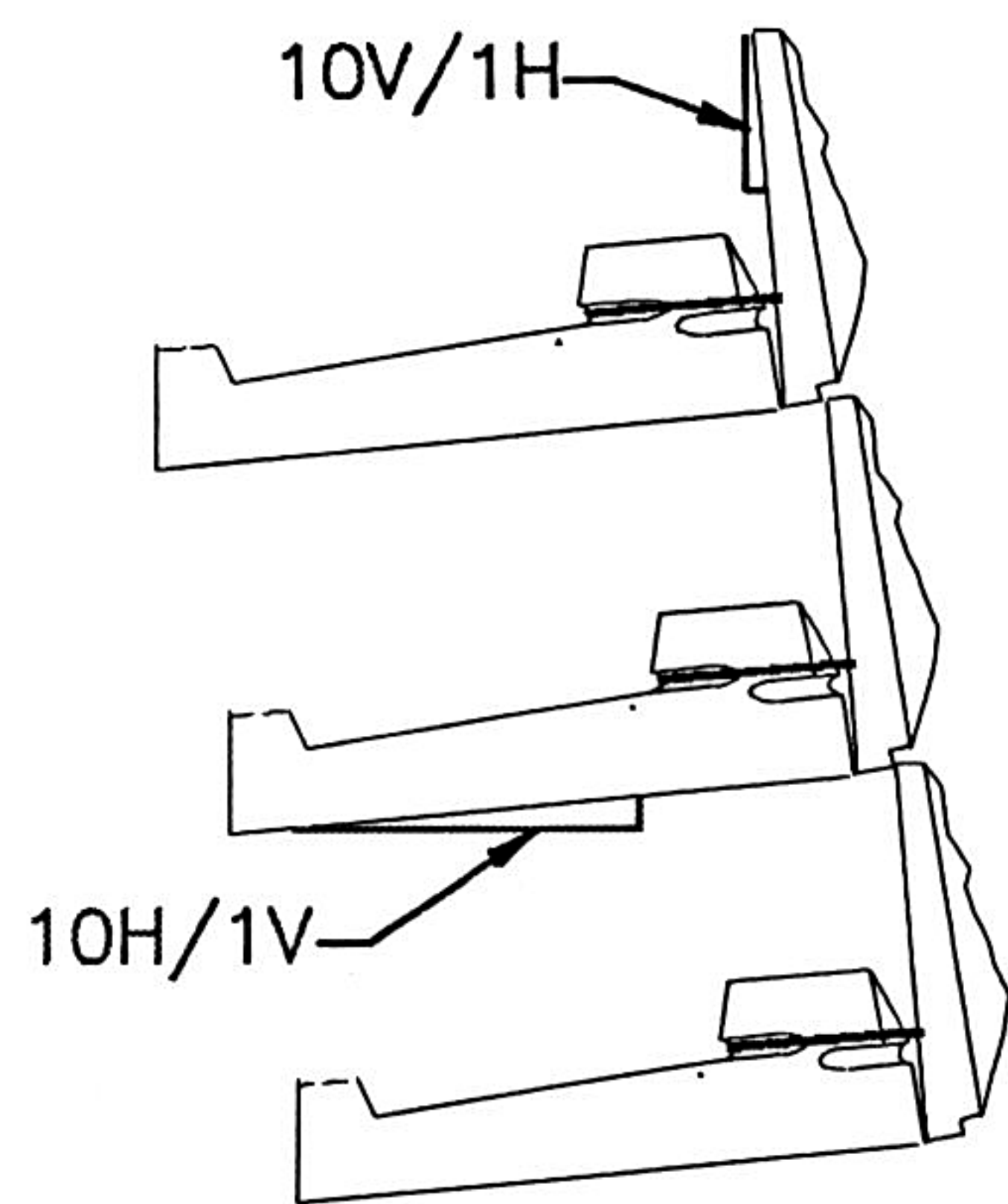
VERTICAL ALIGNMENT



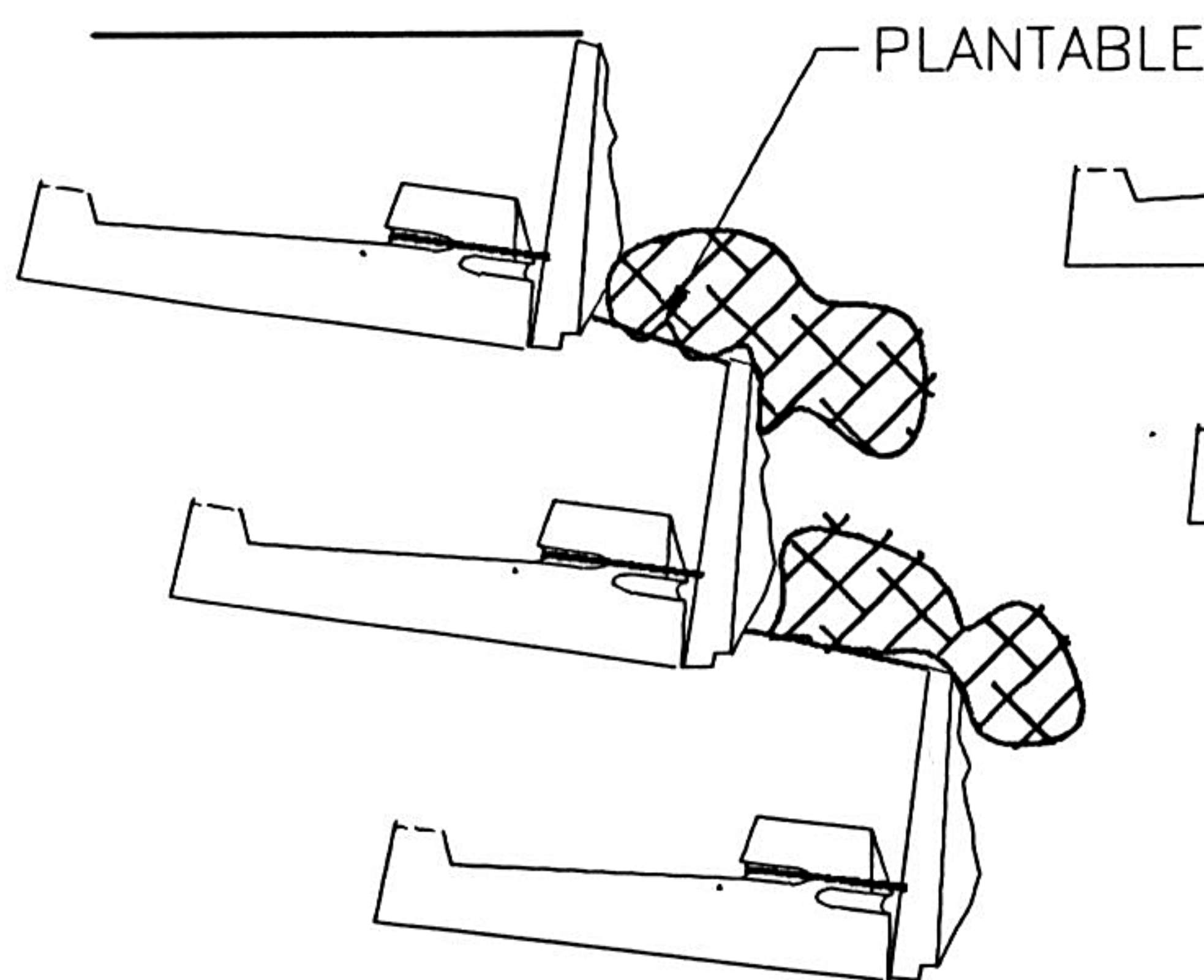
STANDARD ALIGNMENT
10V/1H



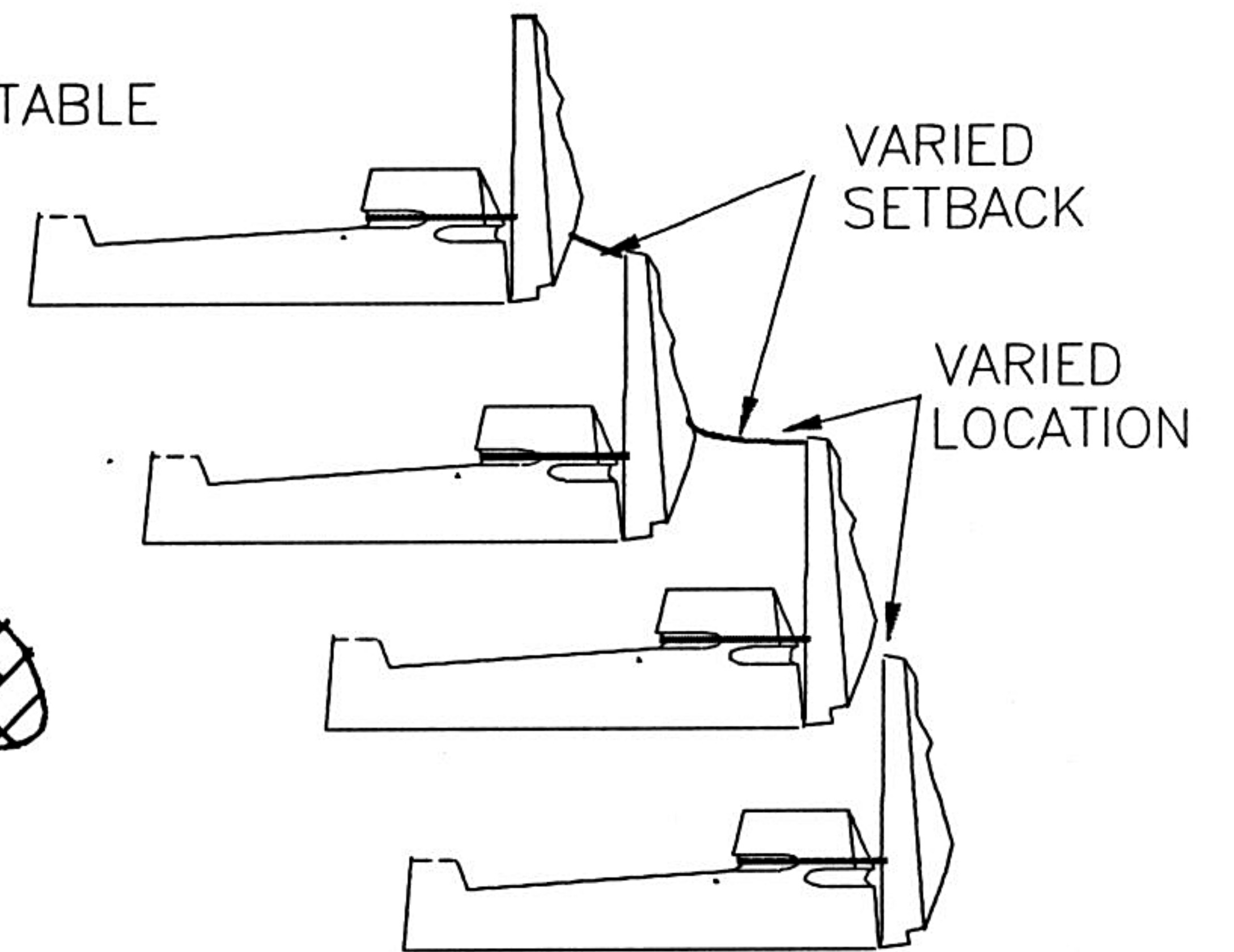
5V/1H BATTER
USING SPACER



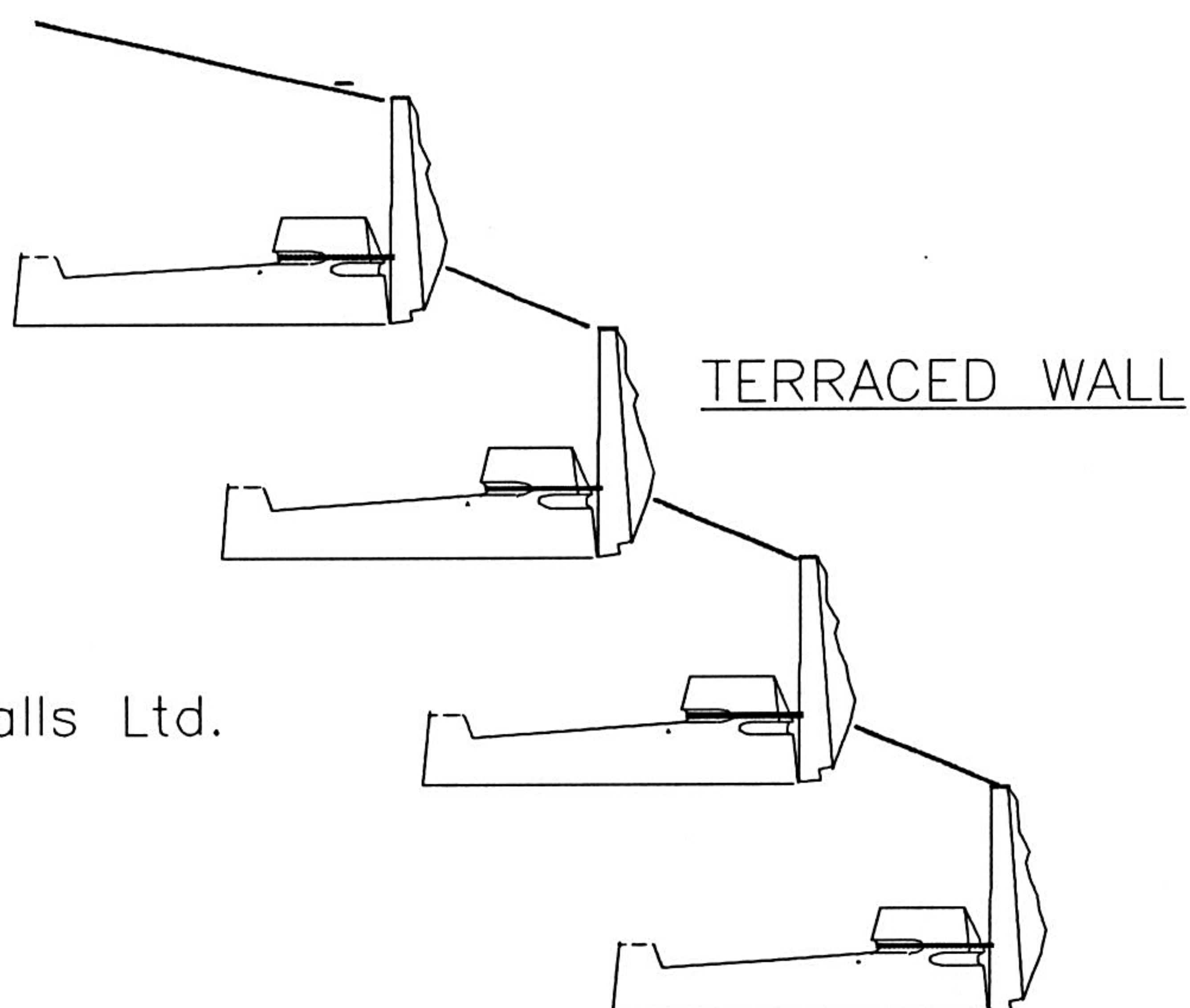
5V/1H SLOPING WALL FACE.



NEGATIVE BATTER
PLANTABLE



VARIBLE SETBACK
AND POSITION



TERRACED WALL

LOCK+LOAD Retaining Walls Ltd.

Except as specifically authorized in writing by Lock&Load Retaining Walls Ltd. possession of this drawing does not authorize use of its contents for other than the express purpose for which it has been provided nor transmission of this drawing or its contents to third parties. Final professional determination of the suitability of the contemplated useage and the manner of the application are the sole responsibility of the User. Design and Analysis shall be performed by a qualified Engineer.

nts 1 inch = 25.4mm