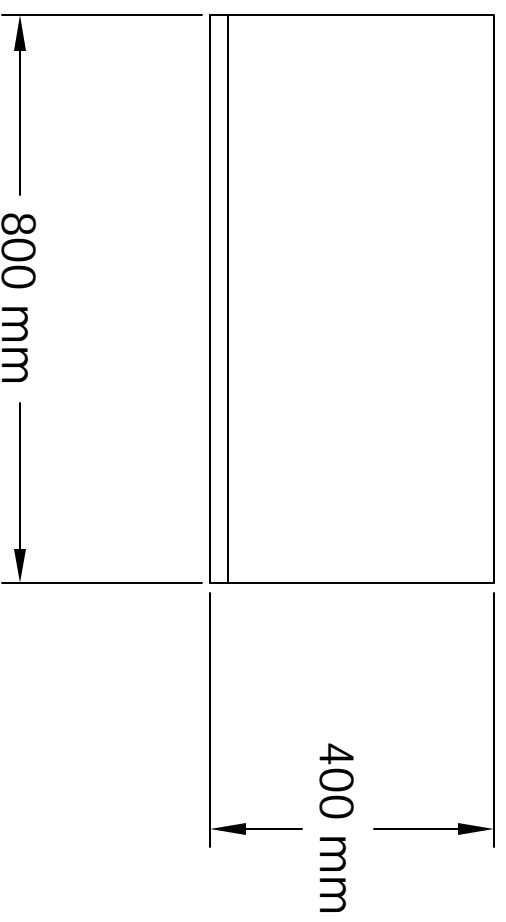
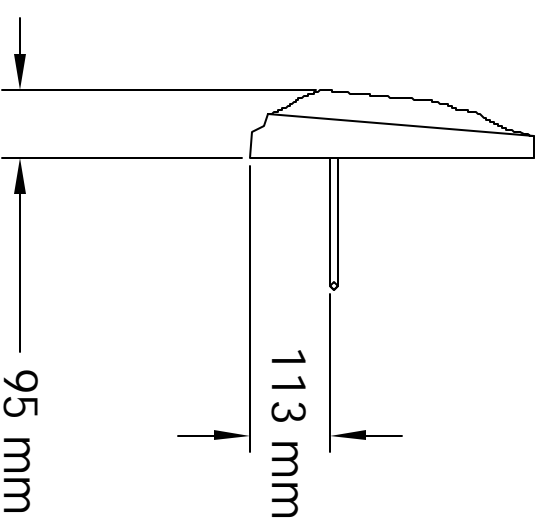


TOP VIEW



FRONT VIEW VIEW



SIDE VIEW

COLOUR

LIMESTONE GREY

REINFORCEMENT

1/4" OR 5/16" STAINLESS STEEL
OR

3/8" HOT DIPPED GALVANIZED
STEEL

POLY OLAFIN FIBRE
REINFORCEMENT

STRENGTH

40 MPa (5500 p.s.i.) MIN

PANEL WEIGHT

50 kg (110 lbs)

NOTE:-

This drawing is a representation of a typical L+L component and delivered components may vary slightly due to the specific casting equipment used in their manufacture contact each manufacturer plant for specific shop drawings when required.

REV #	DESCRIPTION	DATE

LOCK+LOAD™

RETAINING WALL SYSTEMS
1881 CHESTNUT STREET SUITE 400 VANCOUVER, B.C. V6J 4M6
Tel:(604) 732-9990 Toll Free: 1-877-901-9998 Fax: (604) 732-1140
Web site: www.lock-load.com

STANDARD P-4080 PANEL CUSTOMER DRAWING
TYPICAL DRAWINGS

BRAN E. KOTARBA 2006-10-31
PREPARED FOR

OUR PROJECT NUMBER N.T.S.
OUR DRAWING NUMBER CD-P-4080-001
CUSTOMER DRAWING